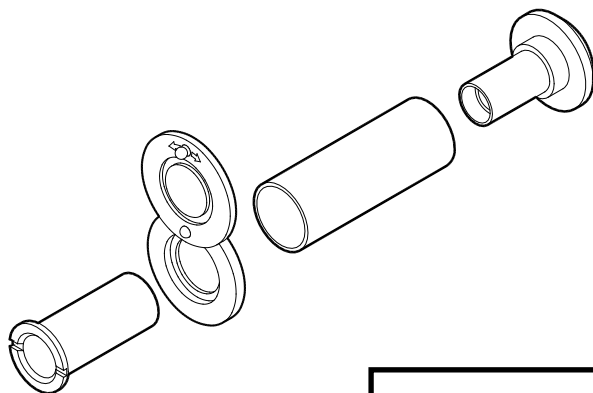




ANTTI MARINE

Door Viewer assembly to doors manufactured by Antti-Teollisuus Oy

Assembly instructions



OVISILMA_EN

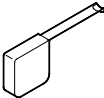
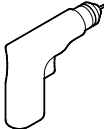
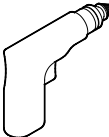
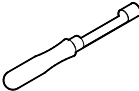

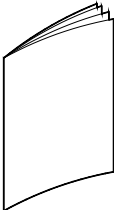
20-10-2020

ANTTI-TEOLLISUUS OY
Koskentie 89
FIN-25340 Kanunki, Salo
FINLAND
Tel. +358 2 7744 700
Fax +358 2 774 4777
www.antti.fi



Needed tools

Picture 1. Needed tools for assembly

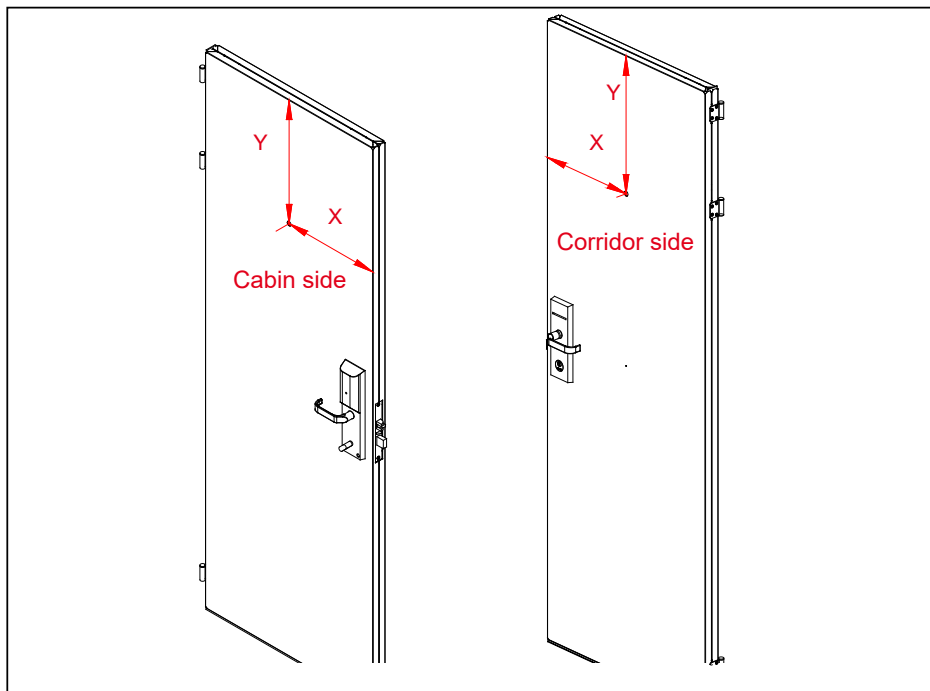
-  - Measuring tape
-  - Drill for predrilling D 3,25 mm
-  - Spiral drill for drilling the final holes
D 14 mm and D 16 mm
-  - Bore for removing the rockwool from the hole
-  - Screw locking glue
-  - Assembly instructions



Note!

These instructions are for a door that opens into the cabin.
Take the door's opening direction into account when installing the door viewer.

Measuring the place for drilling the hole for door viewer



Picture 2. Measuring the place for drilling the hole for door viewer

- Measurement X horizontal measurement
- Measurement Y vertical measurement

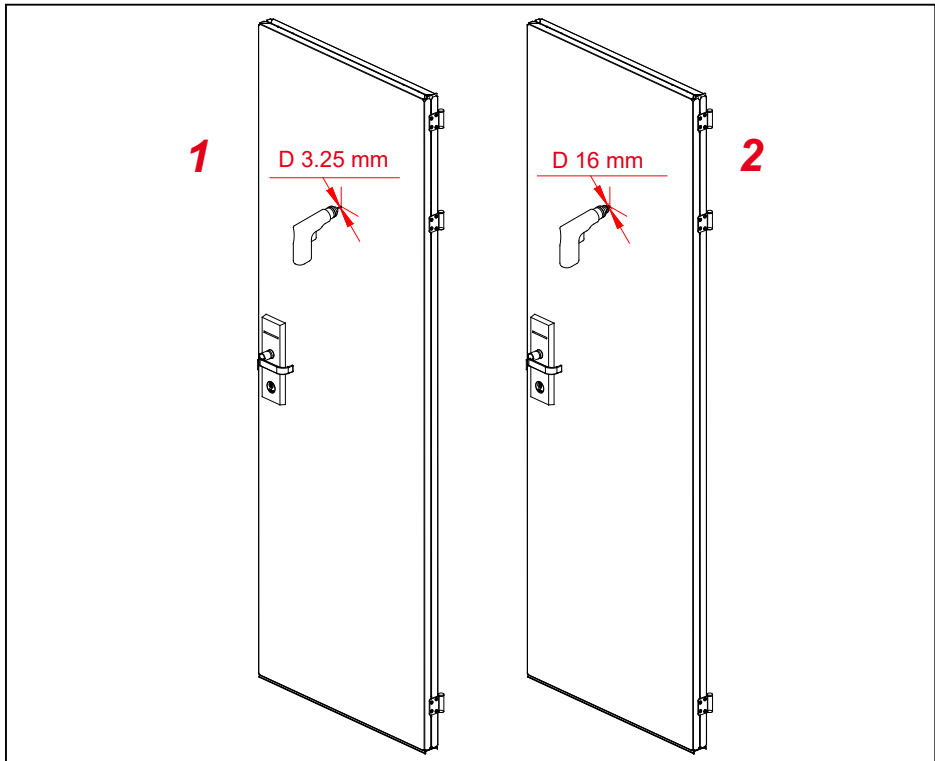


Note!

Take the horizontal measures from the lock side of the door leaf!



Drilling the corridor side



Picture 3.

1. Predrilling with D 3.25 mm drill.
2. Drilling the final hole D16 mm at corridor side.

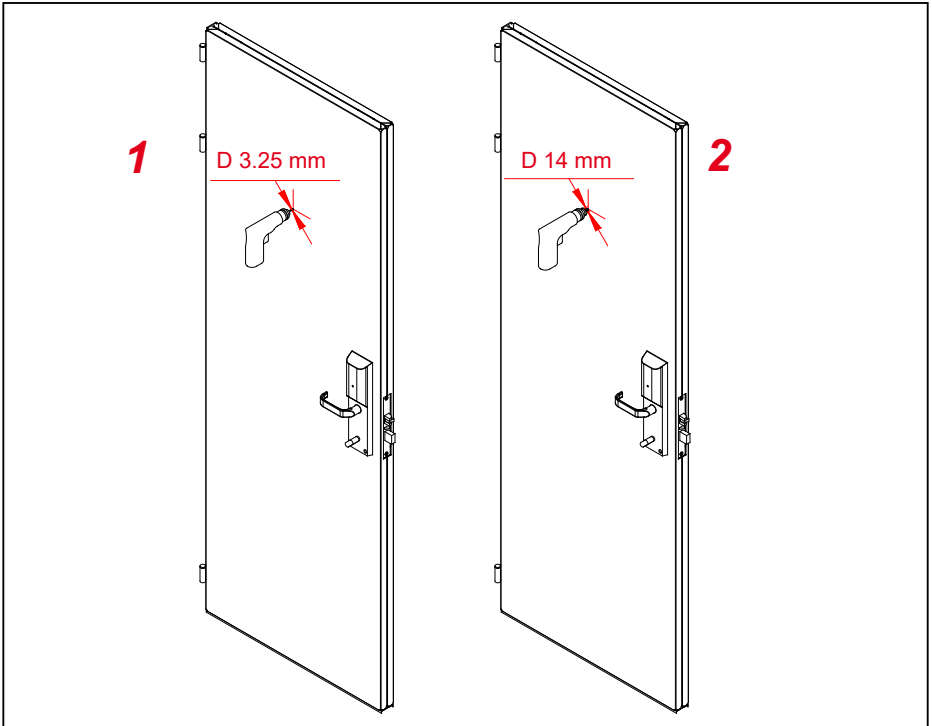


Note!

Do not press too hard, door could be dent if pressed too hard!
Carefully drill to right measurement, do not drill hole too big!



Drilling the cabin side



Picture 4.

1. Predrilling with D 3.25 mm drill.
2. Drilling the final hole D14 mm at cabin side.

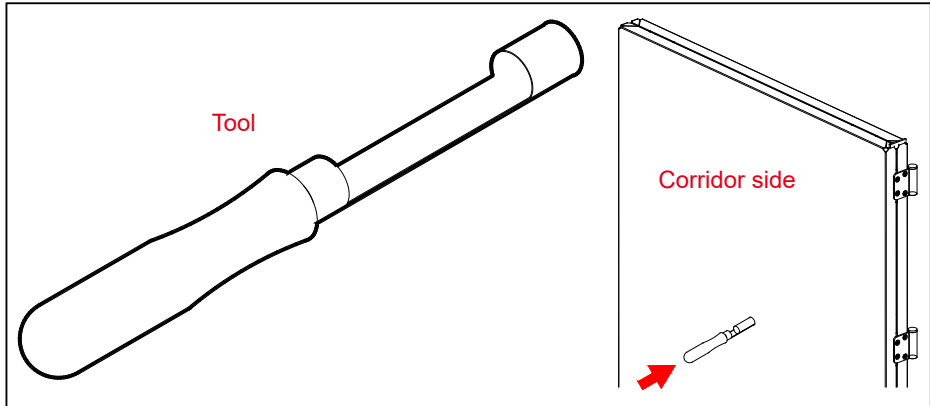


Note!

Do not press too hard, door could be dent if pressed too hard!
Carefully drill to right measurement, do not drill hole too big!
Same measurements on both sides, measured from the same edges of the door (lock side and from the top of the door leaf).

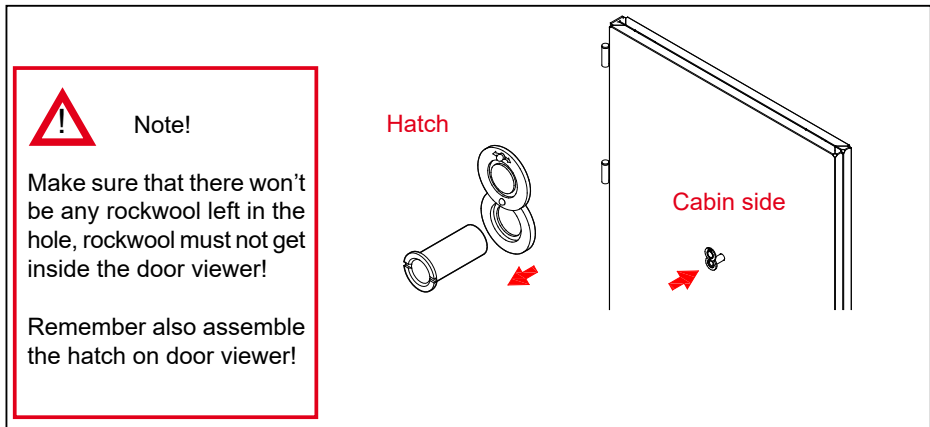


Removing rockwool from the hole

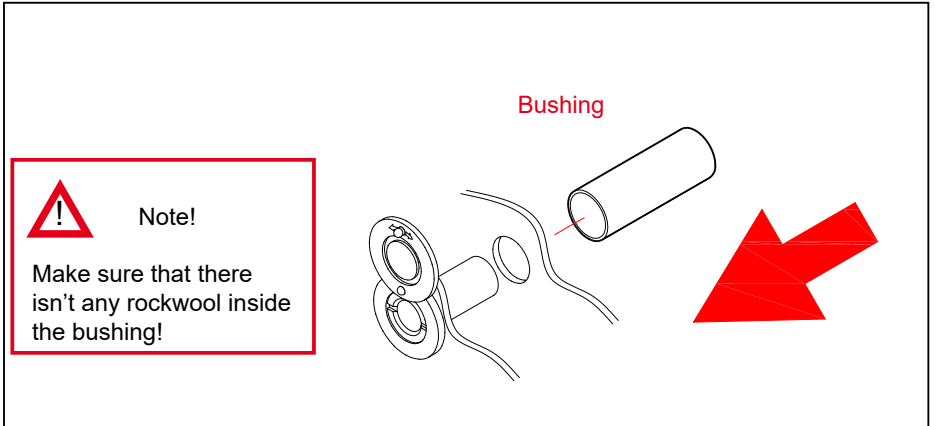


Picture 5. Removing rockwool from the drilled hole with tool.

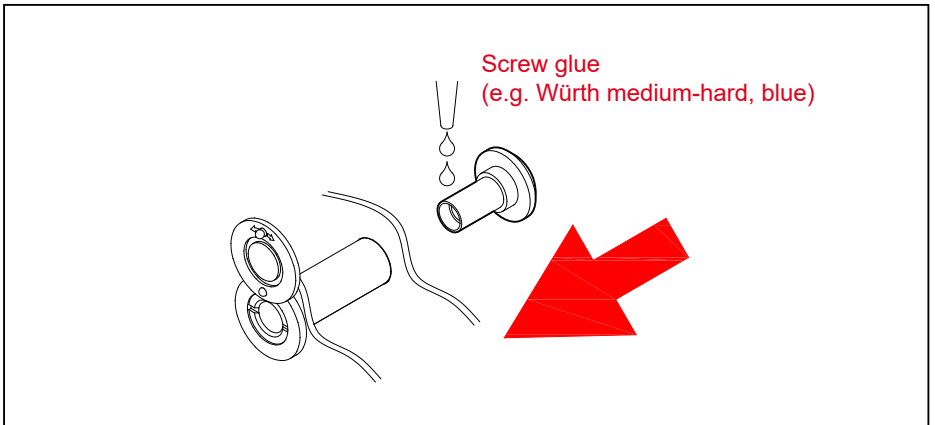
Assembling the door viewer



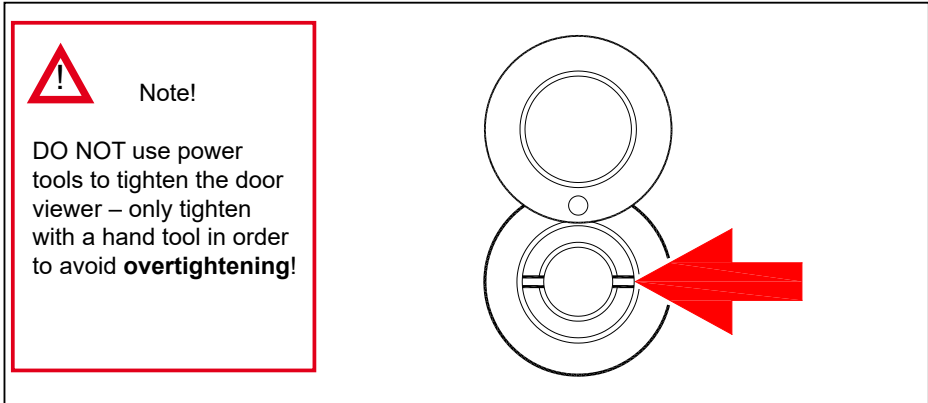
Picture 6. Assembling the door viewer from the cabin side.



Picture 7.
Assemble the bushing on it's place from the corridor side on the door viewer part assembled earlier picture.

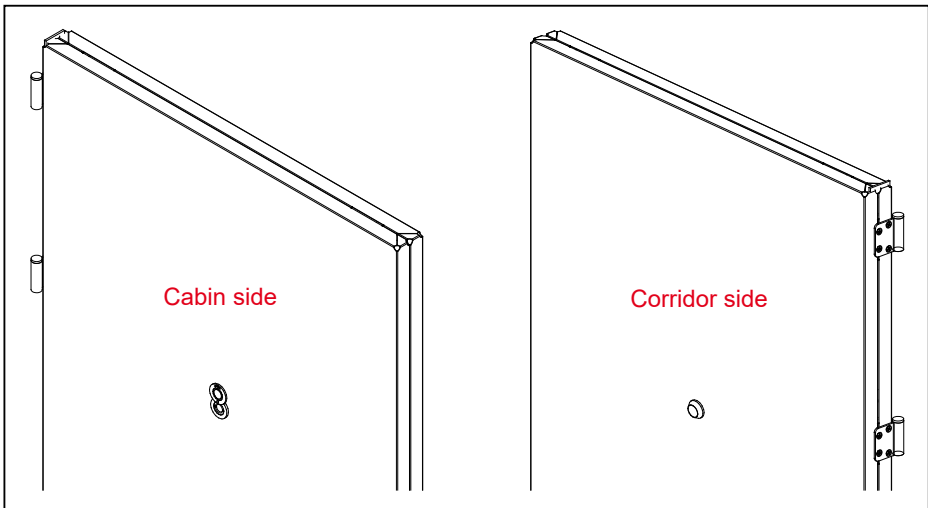


Picture 8.
Adding two drops of screw glue. Using a screw glue that is too strong may cause damage to the door surface if the door viewer is removed by force.



Picture 9.

Screwing the viewer on its place. Hold from the cabin side the part on its place and at the same time screw in the other part of the door viewer from the corridor side. When tightening the door viewer, place the groove and hatch in the position shown in the figure.



Picture 10. Ready assembly.